

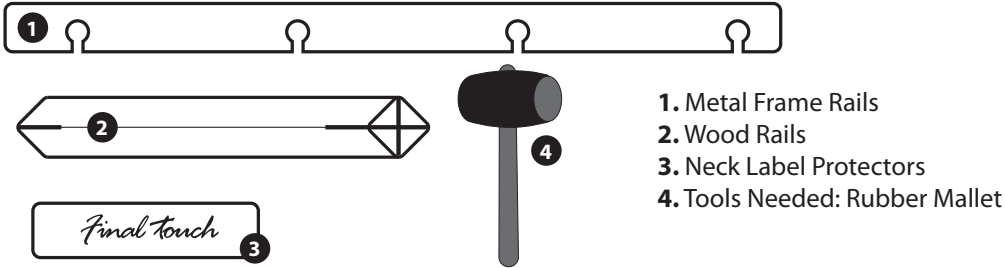
Caution: For wine racks larger than 42 bottles or more, two persons are recommended for assembly.

Attention: This instruction manual illustrates the assembly of the 12 bottle wine rack; however, the procedure is the same for larger units. Follow the below steps accordingly to the number of metal frame rails, wood rails and neck label protectors that your wine rack had.

Number Of Parts Included:

Wine Rack	12 Bottle	30 Bottle	42 Bottle	72 Bottle	110 Bottle
Metal Frame Rails	16	24	28	36	44
Wood Rails	16	36	49	81	121
Neck Label Protectors	12	30	42	72	120

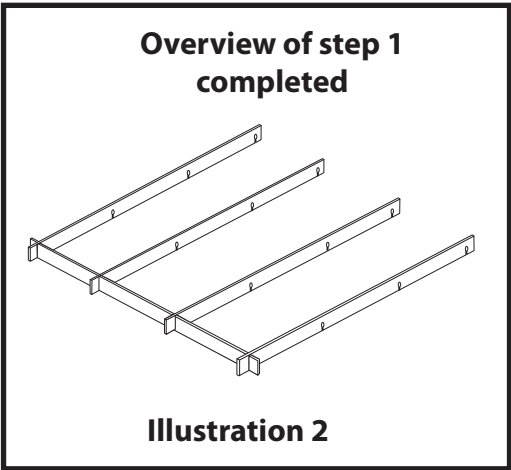
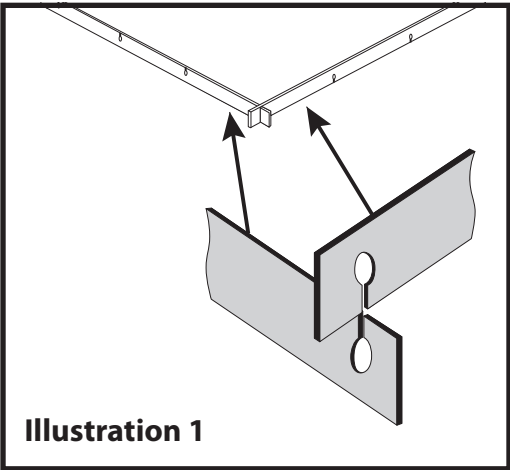
Product Overview



Assembly Instructions

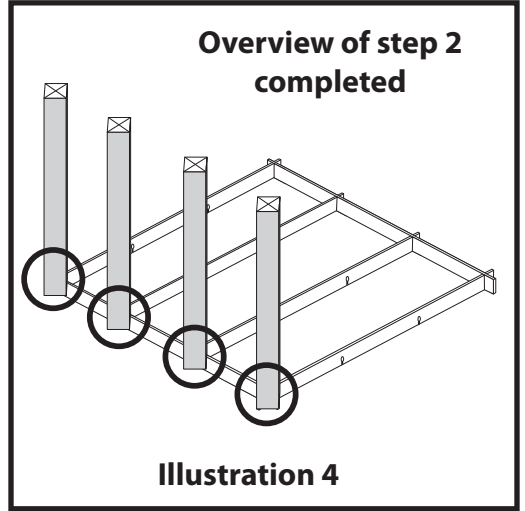
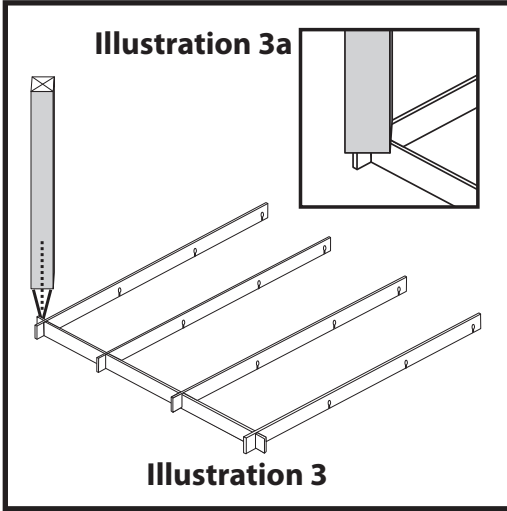
Step 1:

Assemble two metal frame rails on a flat surface as seen in **Illustration 1**. Continue this process to match **Illustration 2**.



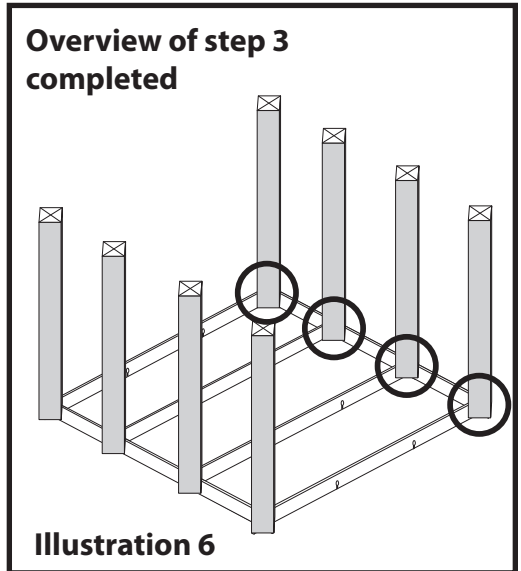
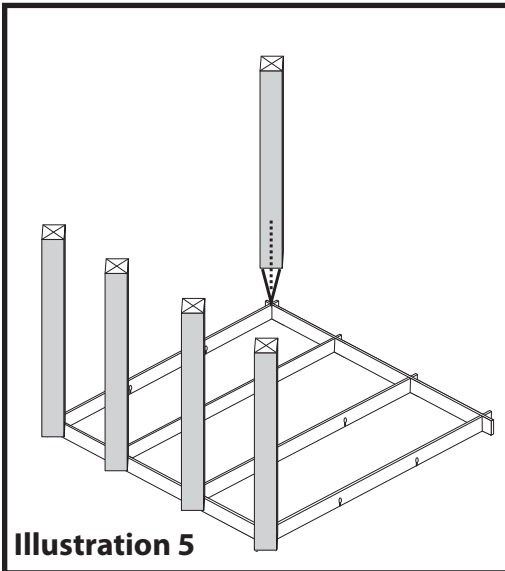
Step 2:

Line up and insert the wood rail piece onto the metal frame as seen in **Illustration 3**. Use a rubber mallet to install wood rails onto the metal frame rails. Only install wood rails half way to ensure for an easy installation (**Refer to Illustration 3a**). Repeat to match **Illustration 4**.



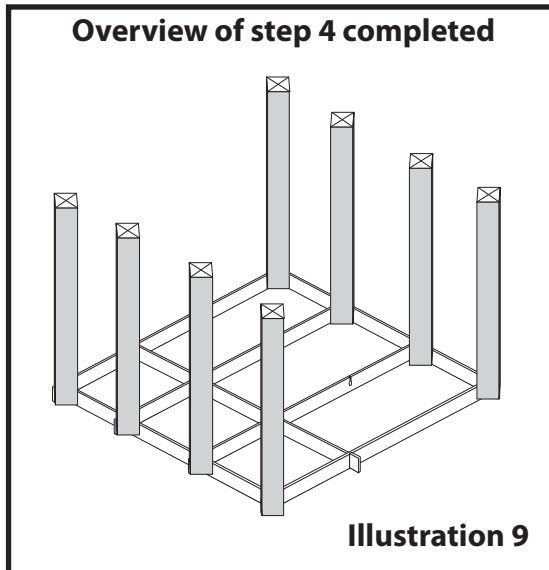
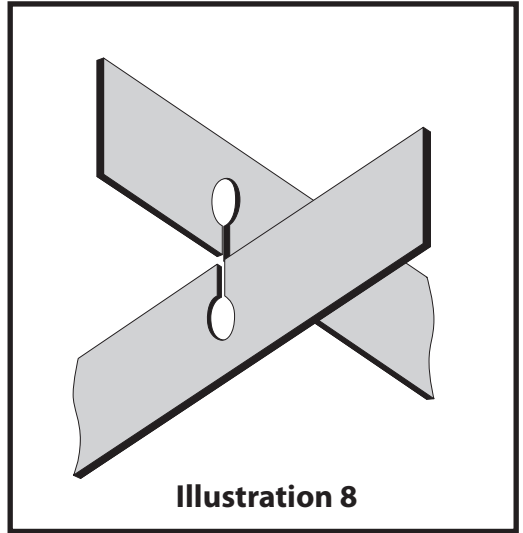
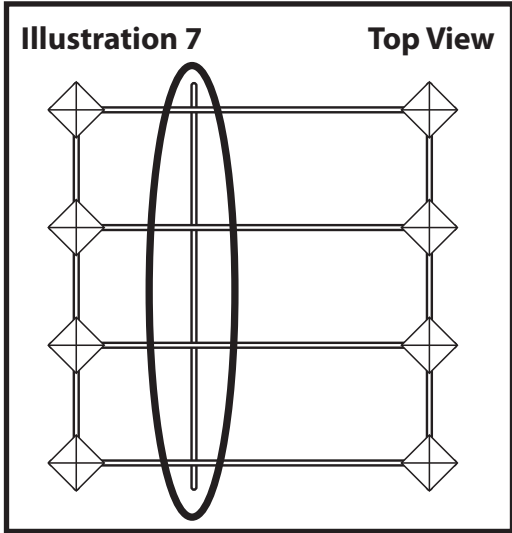
Step 3:

Repeat step two on the opposite side as seen in **Illustration 5**. Again, use a rubber mallet to install wood rails half way to install wood rails half way. Repeat to match **Illustration 6**.



Step 4:

Lift the frame on an angle to install another metal frame rail underneath as seen in **Illustration 7**. Ensure the notches are facing up to line up the metal frame rails (**If unsure refer to Illustration 8**).



Step 5:

Line up and install the wood rail piece onto the metal frame as seen in **Illustration 10**. Use a rubber mallet to install wood rails half way onto the metal rails (**Refer to Illustration 3a**).

Top View

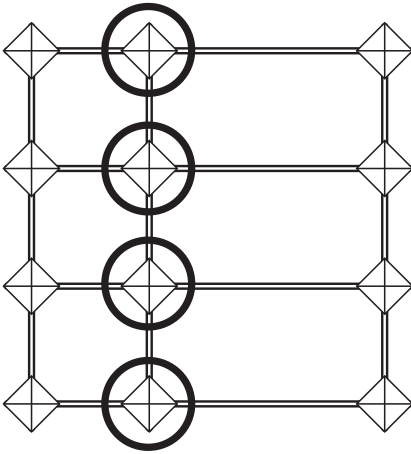


Illustration 10

Overview of step 5 completed

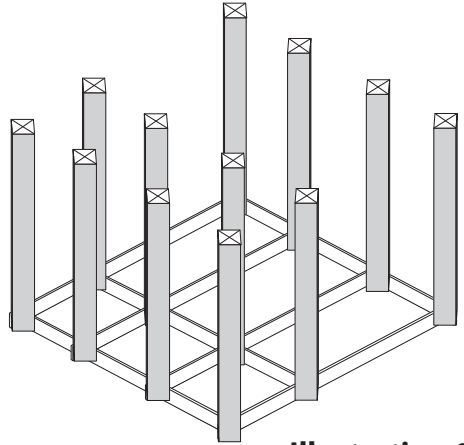


Illustration 11

Step 6:

Repeat steps 4 and 5 to match **Illustrations 12 and 13**.

Top View

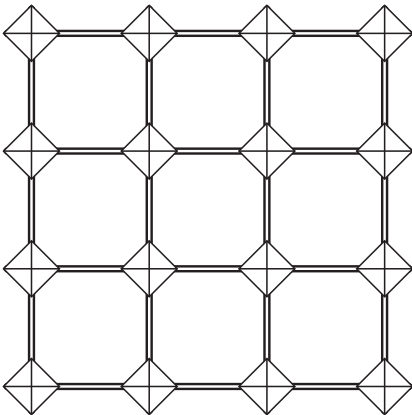


Illustration 12

Overview of step 5 completed

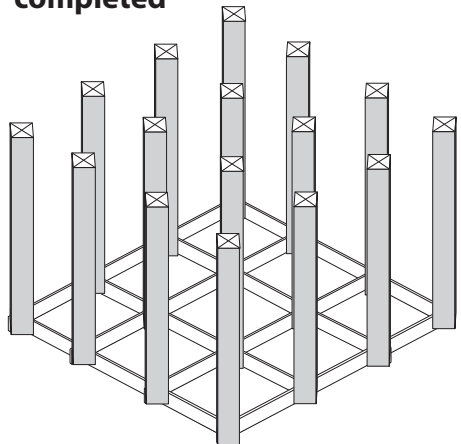
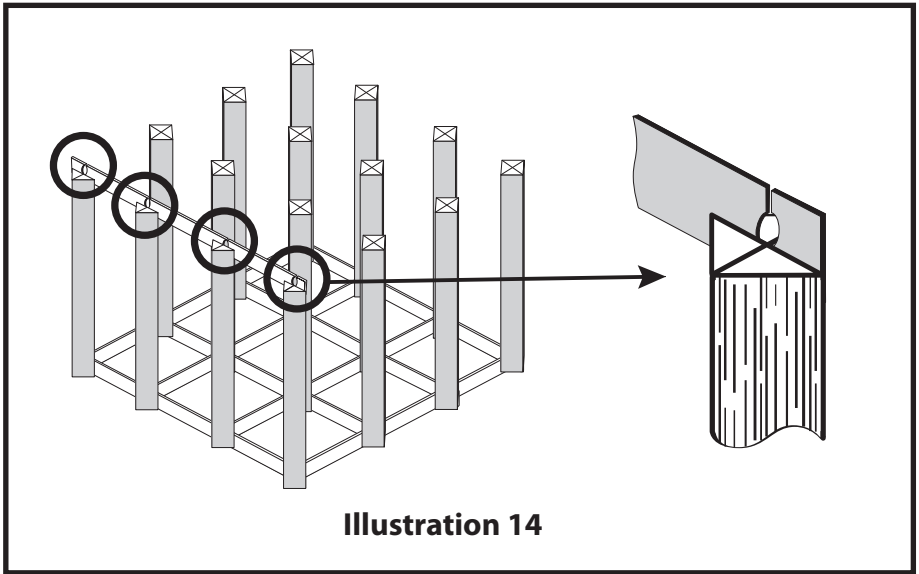


Illustration 13

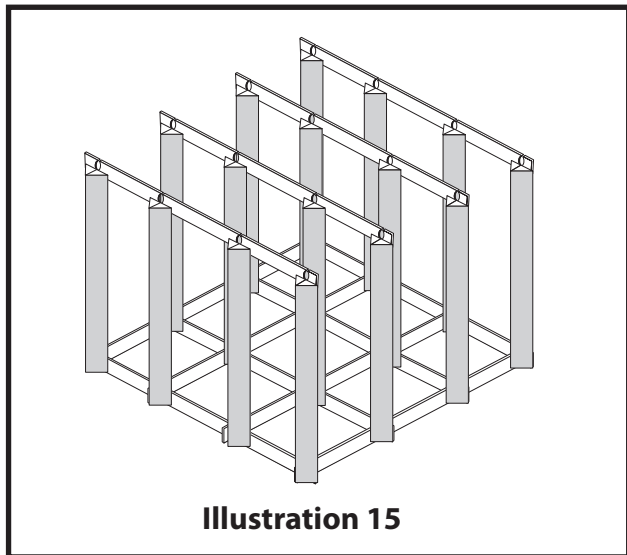
Step 7:

Now install a metal frame rail on top of the wood rails with a mallet as seen in **Illustration 14**. Only install metal frame rail half way with metal notches facing up as highlighted with an arrow in **Illustration 14**.



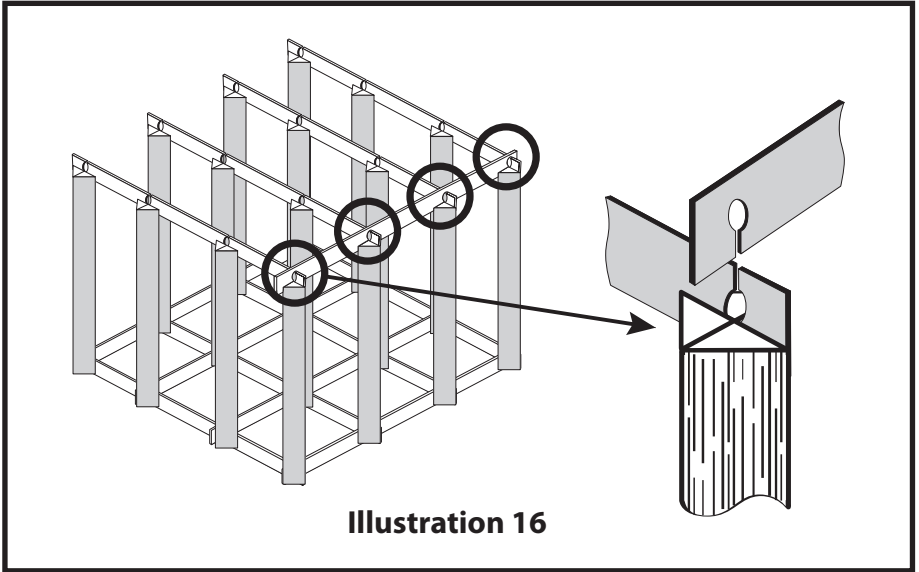
Step 8:

Repeat step 7 according to the series of wine rack you have purchased to match **Illustration 15**.



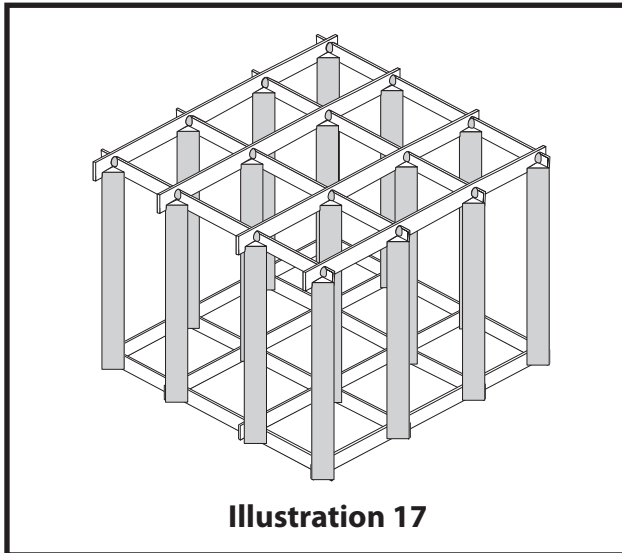
Step 9:

Next install a metal frame rail on top of the previous metal rails in steps 7 and 8 with a mallet as seen in **Illustration 16**. Install metal frame rail half way with metal notches facing down as highlighted in **Illustration 16**.



Step 10:

Repeat step 9 according to the series of wine rack you have purchased to match **Illustration 17**.



Step 11:

Using the mallet, hammer down all the metal frame rails until flush with the wood rails as seen in **Illustration 18**.

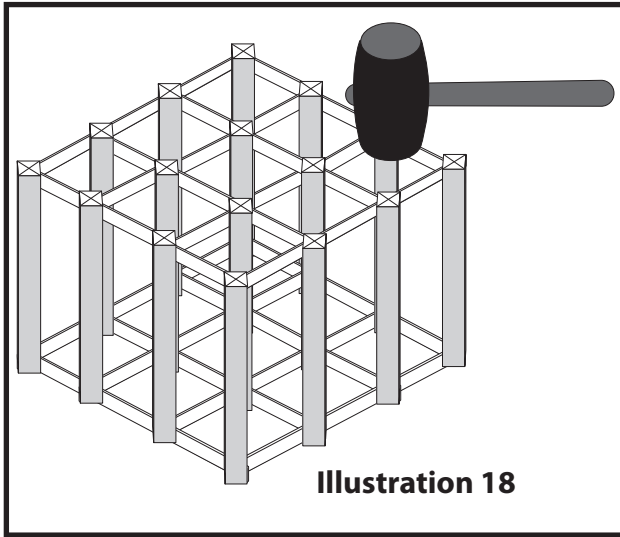


Illustration 18

Neck Label Protectors

Lastly, clip the plastic neck label protectors as seen in **Illustration 19**.

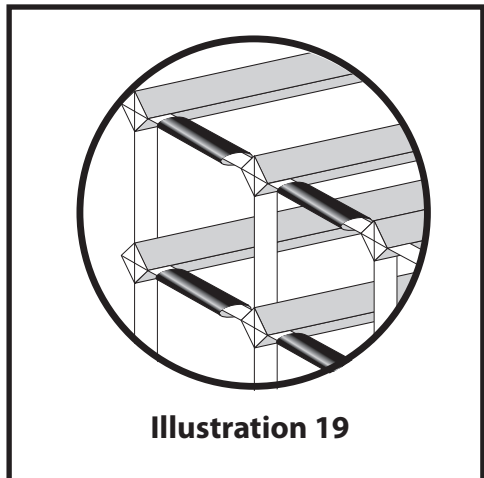


Illustration 19

Final Touch

FTR Series Wine Racks

www.finaltouchwine.com